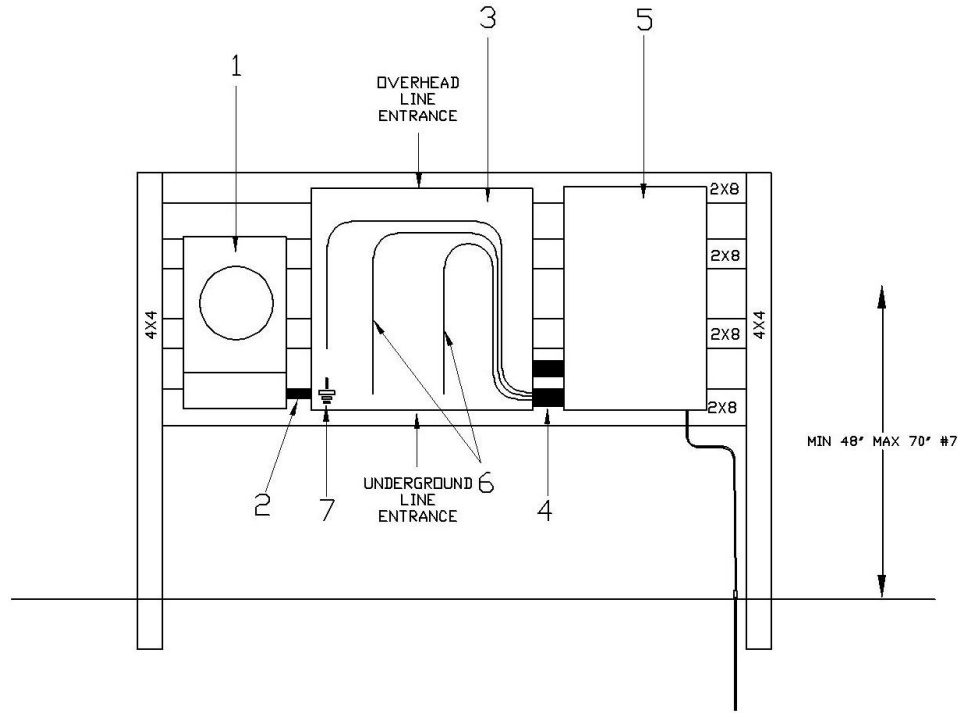


San Patricio Electric Cooperative – (361) 364-2220
Single/Three Phase Current Transformer Metering Construction
Requirements

All installations must comply with the latest applicable National Electrical Code (NEC), local regulations, and Cooperative requirements.

Final approval and service connection are subject to inspection by the Cooperative.



C. T. Meter Diagrams

Single Phase/Three Phase System.

1. C. T. Meter enclosure with Test Switch. (Must be purchased from San Patricio Electric Cooperative and installed by member.)
(Single Phase / MB-UC7532-RL-TS10-0109) 6-Terminal
(Three Phase / MB-UC7449-RL-TS10-0109) 13-Terminal
2. Minimum 2" PVC chase (Plastic Bushing required.)
3. NEMA 3R Enclosure with locking attachment and C.T. mounting panel.
Three Phase (Minimum 36x36x12).
4. PVC Threaded adapters (T-A's) or threaded galvanized nipple between C.T. Box and Disconnect. (Threaded galvanized nipple must have Bonding Bushing). Length must be a minimum of 4" but not more than 6". (Plastic Bushing Required.)
5. Main Disconnect (Must be wired downstream of C.T.'s.)
6. Install service conductors from disconnect into NEMA 3R box. (4' to 6' of service conductors should be left inside NEMA 3 box for Termination.
7. Ground/Bound NEMA 3 Enclosure(C.T. Cabinet), Meter Can, and rack if made of Metal.
8. Copper-Clad Ground Rod & Clamp per National Electric Code shall be fully driven into earth with the top of the rod just below the surface of the ground.

San Patricio Electric Cooperative – (361) 364-2220
Single/Three Phase Current Transformer Metering Construction
Requirements

Member will install C. T. Meter can, NEMA 3R box, Disconnect, Meter Rack and all chases to equipment. (Meter can must be purchased from San Patricio Electric Cooperative and installed by member).

- C.T. Meter Enclosure and Main Disconnect must be installed on opposite sides of NEMA 3 box for termination. Main Disconnect must be wired downstream of C.T.'s.
- San Patricio Electric will provide the C.T.'s, wire and labor to terminate C.T. Metering equipment.
- Knock out only holes required for wiring/grounding main disconnect and C.T. Meter can. San Patricio Line Crew will complete knockouts for underground service entrance. If overhead member must install riser and conductor.
- Polaris lugs provided by member with all phase and neutral conductors cut and connected to Polaris lugs. (Add two spaces to the number of service entrance conductors used.)
- LOOPS must be COMPLETELY ASSEMBLED by the MEMBER or by an ELECTRICIAN in order to be CONNECTED. Cooperative employees will not help in the assembling of a meter loop on the job site. The Cooperative shall determine the acceptability of the meter loop before the connection is made.
- Meter Can must be mounted a MINIMUM of 48" from the ground up and a MAXIMUM of 72" from the ground up. This applies to House & Meter Pole installation.
- Meter and main disconnect must be located on the outside area of any structure. Disconnect and C.T. Meter must be located directly beside NEMA 3R box. First point of disconnect must be breakers or fuses and not blade disconnects.
- Caution must be taken in selecting the service entrance location to the Disconnect.
- Dig Tess (800) 344-8377 should be notified 3 days prior to digging trench.
- Service wires are buried in conduit; sharp turns and angles cannot be made.

Reduced Neutral Not Allowed

Aluminum Wire Not Allowed

Members must expose all underground Customer owned lines. Water, Sewer, Sprinkler, Phone and Gas lines should be exposed before underground work can begin. If lines are not exposed, San Patricio Electric is not responsible for any damages caused to unexposed pipe.

San Patricio Electric has an electrician that builds meter loops.

For price quotes call the Cooperative at [361-364-2220](tel:361-364-2220) ext.132