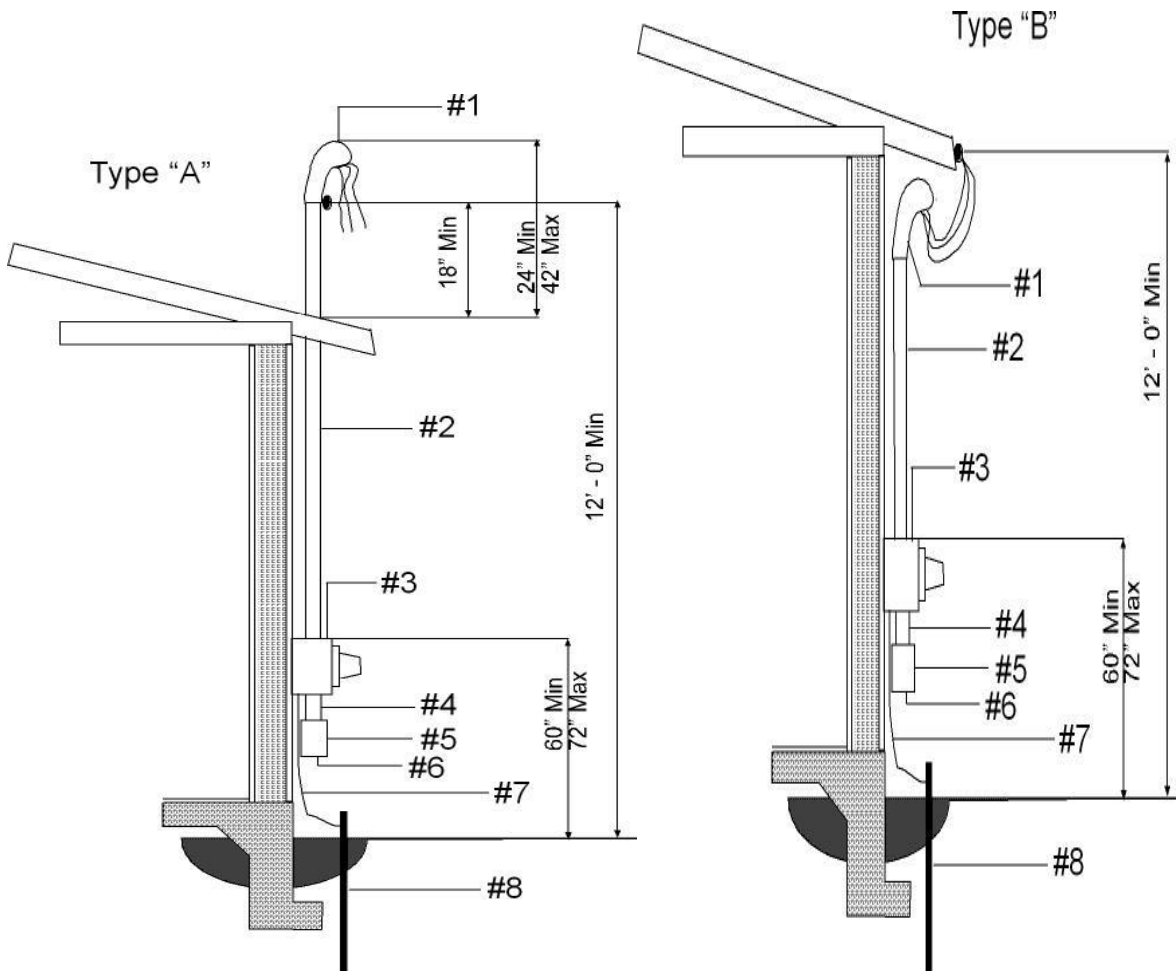


**San Patricio Electric Cooperative
S.P.E.C. Electrician (361) 364-2220 Ext. 132**

Meter Loop Diagram Mounted - On Side of House



1. Weather Head
2. Rigid Metal Conduit

TYPE "A": Mast type risers shall be a MINIMUM of 2" rigid galvanized conduit, and must be sufficient to support the stress. Risers must pass through eave and extend above the roof by at least 24" but not more than 42". No joint couplings will be allowed above the roof. Wire must extend out of weather head at least 24".

TYPE "B": Riser shall be made of rigid galvanized conduit, rigid aluminum conduit. **(EMT is not acceptable).**

3. Ringless Meter Enclosure should be placed with the top of the meter can at least 60" but no more than 72" from ground level.
4. PVC TA's (Treaded Adapters) with lock rings and plastic bushing from Meter enclosure to panel. If threaded galvanized nipple is used, there must be a bonding bushing installed on the panel side with the ground wire passing through the lug. Chase must be same diameter as riser conduit above meter can. Length must be a minimum of 4" but not more than 6". Lock rings and plastic bushing are required on all nipples and adapters.
5. Breaker Panel (MUST HAVE MAIN BREAKER).
6. Customers Breakers Optional.
7. Ground Wire #6 green stranded/solid up to 150 amp, #4 green up to 225 amp, #2 green up to 320 amp. Ground wire starts in meter enclosure and passes out to ground rod. From the panel the wire must be in PVC conduit.
8. 5/8" x 8' Copper Weld Ground Rod & Clamp shall be fully driven into earth with the top of the rod just below the surface of the ground.

**San Patricio Electric Cooperative
S.P.E.C. Electrician (361) 364-2220 Ext. 132**

Meter Loop Diagram Mounted - On Side of House

CONSTRUCTION of 3 WIRE METER LOOPS

- A. Wire should be sized according to the Meter loop amp rating. See Chart
- B. Conduit should be sized according to wire size. See Chart
- C. If breaker box is mounted below the Meter Enclosure, a hub is required on the breaker box.
- D. Under no circumstances will a service drop be installed over the top of a house or building structure.
- E. Guidelines on clearances for service conductors as listed on back **MUST** be followed.

METER LOOPS MUST BE COMPLETELY ASSEMBLED BY THE MEMBER OR BY AN ELECTRICIAN in order to be connected. Co-op employees will not help in the assembling of a meter loop on the job site. San Patricio Electric has a licensed electrician that builds meter loops and offers other services as well. For a price quote please call the Cooperative at (361) 364-2220 Ext. 132

Top of the Meter Enclosure must be mounted between 60" – 72" from ground level.
Meter and Main Disconnect must be located on the outside area of any structure and must be **READILY ACCESSIBLE**
Disconnect must be located directly below or beside the meter. Disconnect must have Main breakers or Fuses Type.
(BLADED DISCONNECT SWITCHES ARE NOT ALLOWED).
Reduced neutral not allowed.

***ALLOWABLE AMPERAGE OF AN INSULATED CONDUCTOR**

Taken from National Electric Code Manual Table 310.15 (B) and 310.16

Meter loop amp	WIRE SIZE	CONDUIT SIZE	
125 amp	#2 Cu	1 ¼"	Residential
150 amp	#1	1 ½"	Residential
200 amp	#2/0	2"	Residential
200 amp	#3/0	2"	Commercial
225 amp	#3/0	2"	Residential
225 amp	#4/0	2"	Commercial
320 amp	350 mcm.	3"	Residential
320 amp	400 mcm.	3"	Commercial

Aluminum Wire Not Allowed

Ground Clearance

NOTE: For 120/240-volt service drop installations minimum clearances must be maintained according to SPEC regulations.

- 12' of clearance shall be maintained where no traffic is present.
- 15' of clearance shall be maintained over driveways.
- 22' of clearance shall be maintained over roadways.